

Main Floor Plan Elevation C

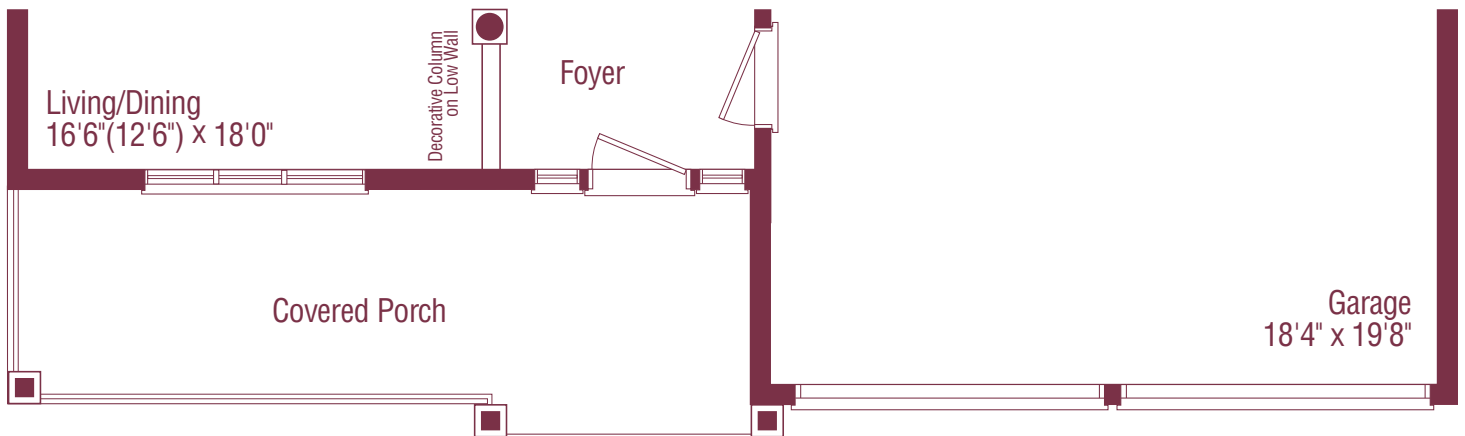


The Mackenzie

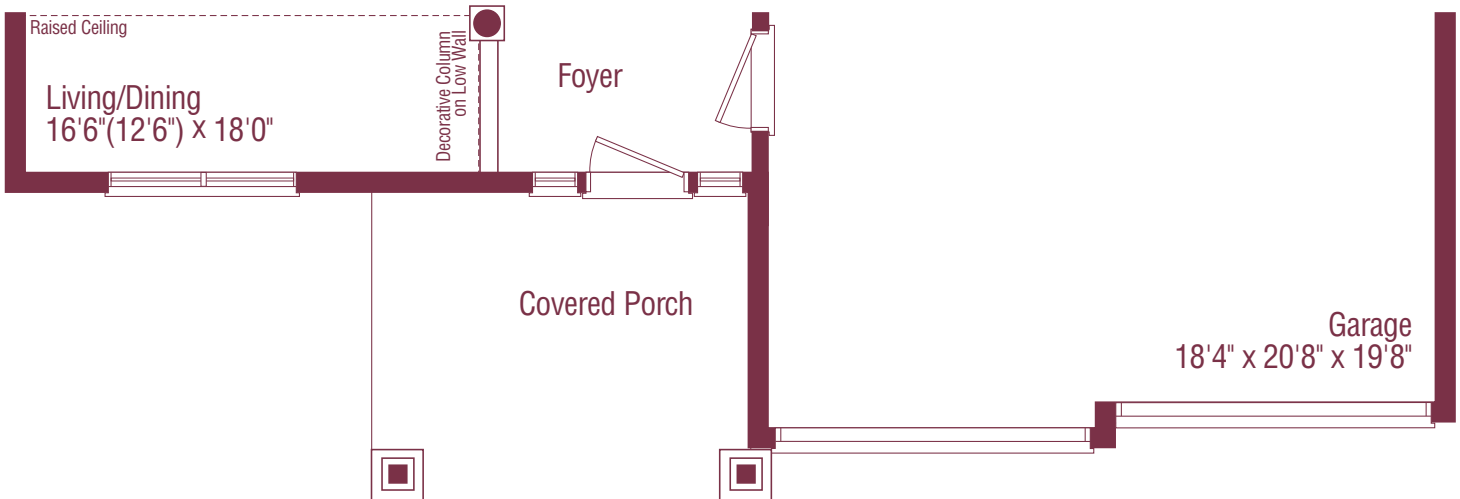


Materials, specifications, and floor plans are subject to change without notice. All dimensions are approximate. Actual useable floor area may vary from that stated, which includes areas finished below grade where applicable. Elevation renderings are artist's concepts. See sales representatives for details. E. & O.E. Version 1.01

Alternate Partial Main Floor Plan Elevation A



Alternate Partial Main Floor Plan Elevation B

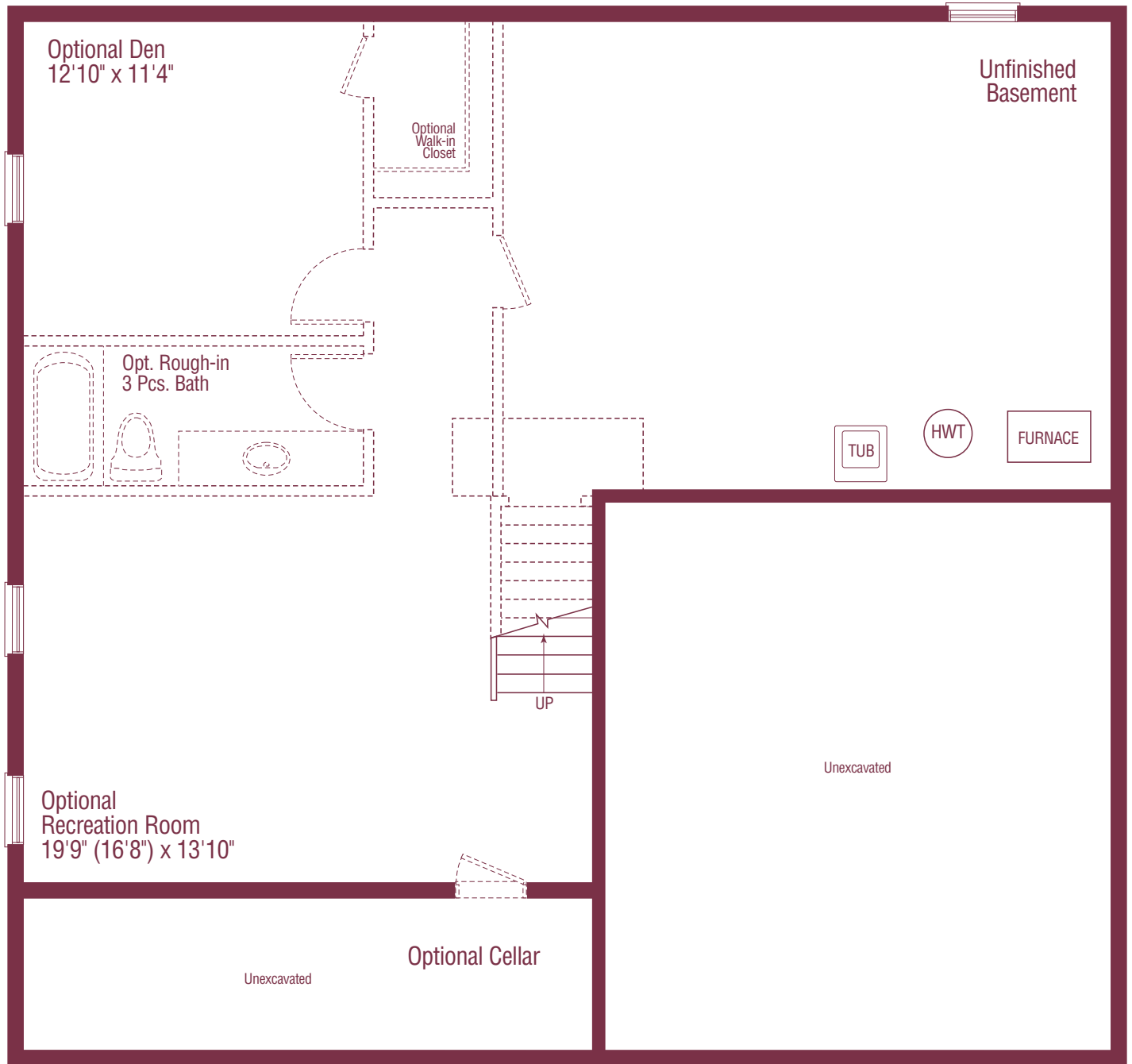


The Mackenzie



Materials, specifications, and floor plans are subject to change without notice. All dimensions are approximate. Actual useable floor area may vary from that stated, which includes areas finished below grade where applicable. Elevation renderings are artist's concepts. See sales representatives for details. E. & O.E. Version 1.01

Basement Floor Plan C

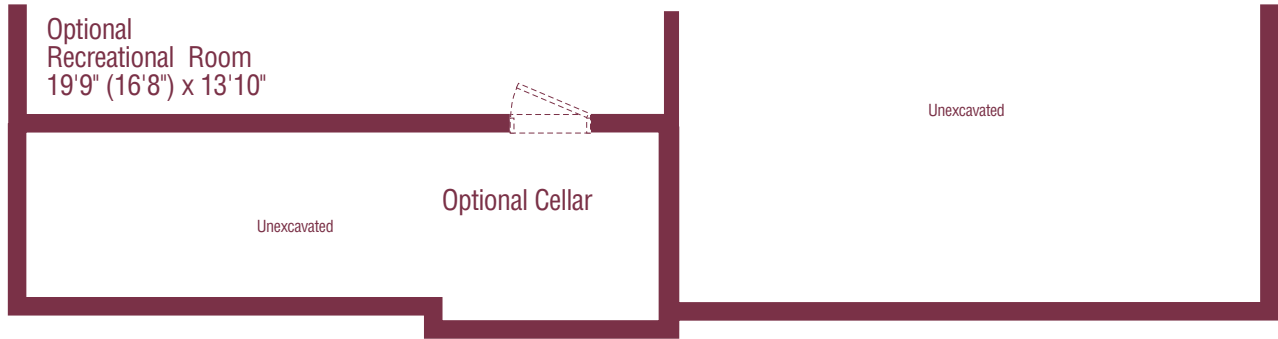


The Mackenzie

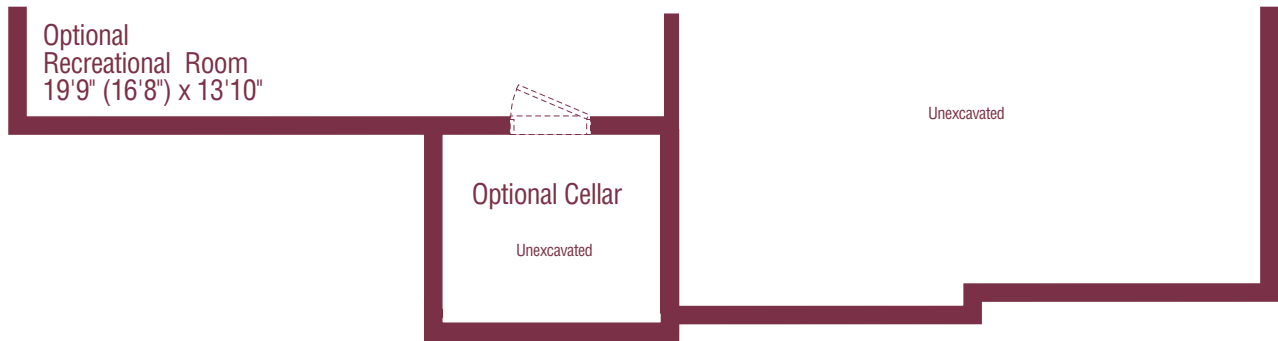


Materials, specifications, and floor plans are subject to change without notice. All dimensions are approximate. Actual useable floor area may vary from that stated, which includes areas finished below grade where applicable. Elevation renderings are artist's concepts. See sales representatives for details. E. & O.E. Version 1.01

Optional Basement A



Optional Basement B



	A	B	C
SQUARE FOOTAGE-MAIN	1048	1048	1048

The Mackenzie



Materials, specifications, and floor plans are subject to change without notice. All dimensions are approximate. Actual useable floor area may vary from that stated, which includes areas finished below grade where applicable. Elevation renderings are artist's concepts. See sales representatives for details. E. & O.E. Version 1.01